

Rasper belt drive

Being the first step in the wet process, the milling performance is crucial. The yield of the rasper determines to a great extent the overall yield of the entire starch operation. Any starch loss in this section is lost forever.

The starch granules are locked in the cells of the root together with other constituents and have to be released from the cell compound. The more thoroughly the cells are destroyed, the better the release of the granules, thus the better the starch yield.

SiccaDania raspers are designed to rupture the cell walls so efficiently that the maximum amount of starch from the cassava root is released.



Advanced two piece rotor bearing design

- Flexible house mounting
- Automatic accurate alignment
- Easy replacement, service & maintenance
- Heavy load resistant

Superior saw blades clamping design

- Instant saw blade exchange
- Solid clamping
- Easy service and maintenance

High speed rotor (2.100 RPM)

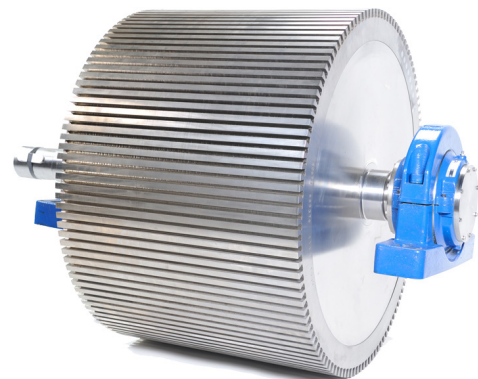
- Highest milling efficiency

Double cutter block & reversible rotation

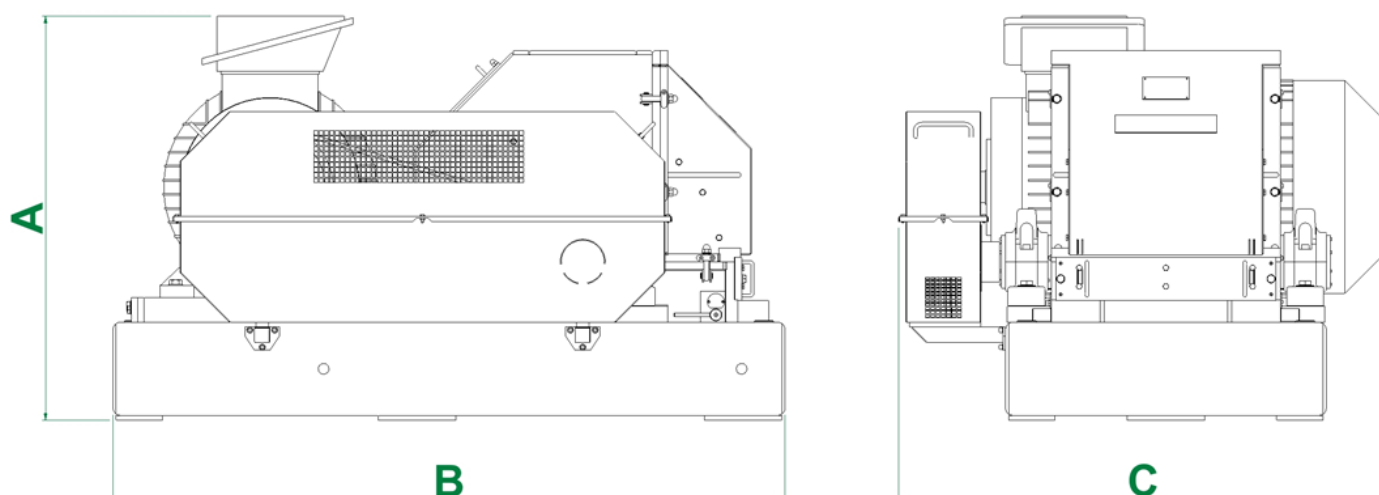
- Constant and smooth milling performance
- Long saw blades life time

Full stainless steel

- Best-in-Class durability



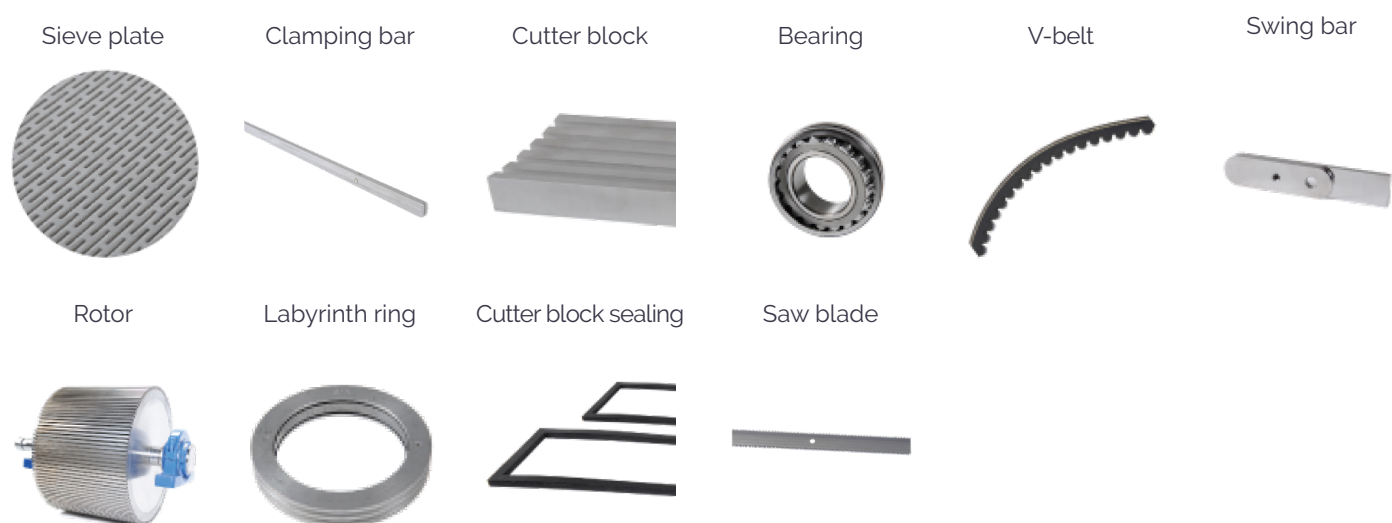
Technical data



Model	HRD 300	HRD 400	HRD 500	HRD 600
A (mm)	1190	1190	1190	1300
B (mm)	2170	2170	2170	2170
C (mm)	1090	1190	1285	1580

Model	HRD 300	HRD 400	HRD 500	HRD 600
Netto load (kg)	3000	3000	3400	3400
Capacity potatoes (t/h)	9	12	30	40
Capacity roots (t/h)	5	12	17	22

Spare parts



Rasper direct drive

Being the first step in the wet process, the milling performance is crucial. The yield of the rasper determines to a great extent the overall yield of the entire starch operation. Any starch loss in this section is lost forever.

SiccaDania rasps are designed to rupture the cell walls so efficiently that the maximum amount of starch from the root is released. The starch granules are locked in the cells of the root together with other constituents and must be released from the cell compound.

This version is compact and can be easily fitted into an existing milling location. The V-belt drive is easily accessible and provides a steady headache-free operation.



Advanced two piece rotor bearing design

- Flexible house mounting
- Automatic accurate alignment
- Easy replacement, service & maintenance
- Heavy load resistant

Superior saw blades clamping design

- Instant saw blade exchange
- Solid clamping
- Easy service and maintenance

High speed rotor (2.100 RPM)

- Highest milling efficiency

Double cutter block & reversible rotation

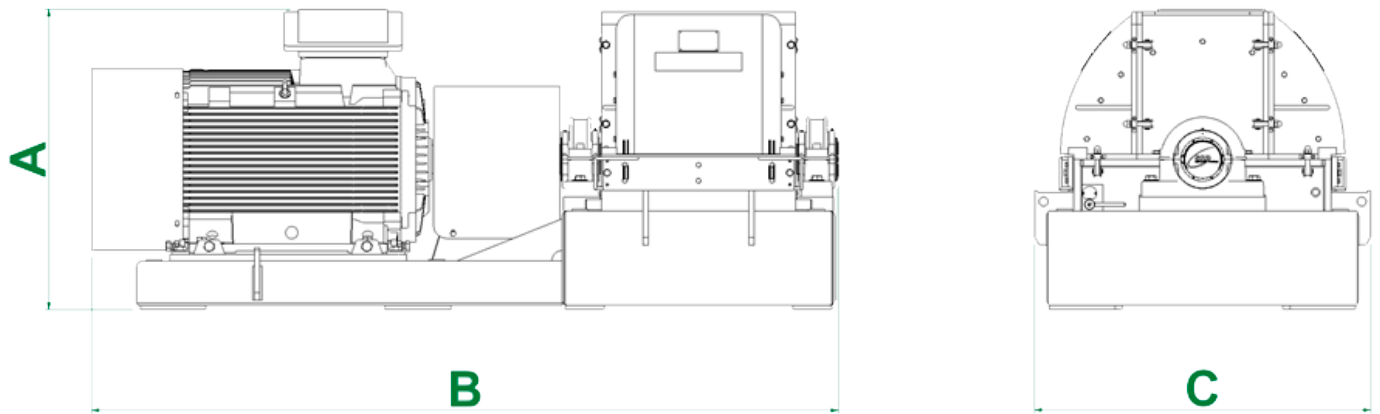
- Constant and smooth milling performance
- Long saw blades life time

Full stainless steel

- Best-in-Class durability



Technical data



Model	HRD 600DD
A (mm)	1140
B (mm)	2840
C (mm)	1280

Model	HRD 300
Netto load (kg)	4200
Brutto (kg)	4392
Dynamic load (kg)	5710
Capacity potatoes (t/h)	40
Capacity roots (t/h)	22

Spare parts



Rasper BOSS 6000 DD

The rasper, type SD600 DD has been designed for the highest starch extraction in combination with a robust design and excellent maintenance features. The purpose is to open the tuber cells and release the starch granules. The slurry obtained can be considered a mixture of pulp (cell walls), fruit juice and starch. With this modern high-speed rasper, rasping is a one-pass operation.

The overall design of the rasper is slim and easy to operate and maintain. The rasper has a large rotor diameter, that incorporates the 160 groove profiles for the rasping blades and makes it possible to place a high amount of saw blades in the rotor. This amount of saw blades is determined as an optimum between a longer uptime on one side against the replacement time and the price of sawblades on the other side.



Rotor

- Robust design
- Equipped with 160 sawblades
- Lower maintenance cost
- Easy accessible with hydraulic cover

Motor drive

- Direct drive to the rotor by means of a belt coupling
- Reversible rotor
- Motor and rotor are mounted on a common high hygienic frame made of stainless steel

Shaft/bearings

- Standard Bearings
- Excellent sealing protection

Advantages

- Easiest maintenance in the market
- Highest hygienic level design in the market
- A reversible rotor increases the saw blades lifetime
- Stable construction, no foundation bolts required
- High efficient starch extraction
- Direct drive reduced power consumption

Technical data

The rasper is available in widths from 400 up to 600 mm and with motor sizes up to 315 kW.

Potato/Sweet potato

Model	600	600
Power (kW)	250	315
Capacity (t/h)	40	52
Weight (kg)	8100	8200

Tapioca/yams

Model	600	600
Power (kW)	250	315
Capacity (t/h)	22	30
Weight (kg)	8100	8200

Maintenance

Easy maintenance results in less downtime.

The rasping blades can rapidly be replaced from the front by the hydraulic easy-open cover. The bottom plate can be inspected and replaced easily and fast without disconnecting the heavy rasper block.

