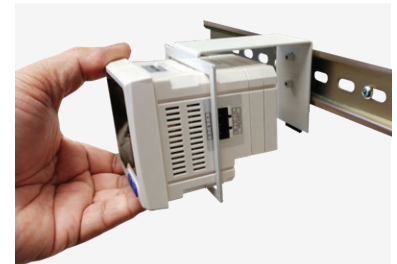


AcuDC 240

DC Power & Energy Meter Datasheet

ACCUEENERGY



DESCRIPTION

The AcuDC 240 is a DC energy meter designed to monitor and control DC power systems with a wide range of measurement parameters such as voltage, current, power and energy. Ideal for renewable energy applications, it supports bi-directional current measurement used in net metering, solar PV, and wind turbine power generation as well as other applications such as transportation systems, telecommunications, and power distribution systems.

FEATURES

- + 0.2% accuracy on voltage and current; 0.5% on power and energy
- + Optional data logging with adjustable log size
- + Optional RS485 Modbus-RTU communications
- + Compatible with DC current sensors, DC voltage sensors, Hall effect sensors, & shunts
- + Equip with a variety of I/O options including Analogue Output, Analogue Input, Relay Output or Digital Output
- + Standard 72mm x 72mm DIN size for drawer-type panel installation

KEY FEATURES

High Accuracy Measurements

- + With 0.5% accuracy on power & energy* and 0.2% accuracy on voltage & current, the AcuDC 240 meter captures precision metrics across DC systems up to 1000Vdc. Meter critical, real-time voltage, current, power, energy, and amp-hour parameters while viewing real-time data instantly on the multi-function display.

Modbus-RTU Communications

- + Communicate all DC metered data to SCADA, PLC, or other external systems using industry-standard Modbus-RTU protocol via an on-board RS485 communication port. Daisy-chain multiple meters together for efficient data collection.

I/O Modules

- + A variety of optional analogue, digital, relay, and alarm output combinations are available via field-swappable, plug-in I/O modules. Each module features a unique combination of DI, AO, AI, RO, or DO options to extend the capabilities of the AcuDC 240 meter. Certain modules also feature a Hall effect sensor power supply for additional flexibility.

Built-In Data Logging

- + The AcuDC offers three, configurable log files where meter parameters such as power, energy, voltage, current, amp hour, and DI count data are recorded. Log at a 1 minute interval for up to four months for later analysis.

**0.2% accuracy on power & energy available upon request.*



APPLICATIONS

- + DC Energy Management Systems
- + Power Distribution Systems
- + Renewable Energy
- + Industrial DC Control Systems
- + Metallurgy & Electroplating Industries
- + Light Rail Transit Systems
- + Electric Vehicle Charging
- + Data Centers
- + Cellular Tower Monitoring

SPECIFICATIONS

Metering

PARAMETERS	ACCURACY	RESOLUTION	RANGE
Voltage	0.2%	0.001V	0~9999V
Current	0.2%	0.001A	0~±50000A
Power*	0.5%	0.001kW	0~±60000kW
Energy*	0.5%	0.01kWh	0~9999999.99kWh
Drift with Temperature	<100ppm/°C		
Stability	0.5%/year		

* 0.2% accuracy on Power and Energy available upon request

Input

CURRENT INPUTS (Each Channel)

Nominal Current Options	0~±10A(Direct Input, pick up current 0.01A) 0~±50000A (via Shunt or Hall Effect Sensor, programmable range)
Shunt	50~100mV (programmable)
Hall Effect Sensor	0~±5V/0~±4V, 4~20mA/12mA±8mA
Power Consumption	2W (Max)
Accuracy	0.20%

VOLTAGE INPUTS (Each Channel)

Nominal Full Scale	Direct Input: 0~1000V Via Hall Effect Sensor: 0~9999V
Input Impedance	2MΩ
Load	<0.6W
Accuracy	0.20%

ENERGY ACCURACY

Active	0.50%
--------	-------

Communications

RS-485

2-Wire Shielded Twisted Pair Cable Connection
Half duplex, Optically Isolated
1200 to 38400bps
Isolation Voltage: 2500Vac

PROTOCOLS

Modbus-RTU

Control Power

AC/DC CONTROL POWER

Operating Range	(P1) 100-240Vac, 50/60Hz, 100-300Vdc (P2) 20-60Vdc
Power Consumption	3W (typical)

Operating Environment

Operating Temperature	-25°C to 70°C -13°F to 158°F
Storage Temperature	-40°C to 85°C -40°F to 176°F
Relative Humidity	5% to 95% Non-Condensing

I/O Options

DIGITAL INPUT

Optical Isolated Voltage	2500Vac
Input Type	Dry
Input Resistance	100kΩ
Input Voltage Range	20~160 Vac/dc
Input Current (Max)	2mA
Start Voltage	15V
Stop Voltage	5V
Pulse Frequency (Max)	100Hz, 50% Duty Ratio (5ms ON and 5ms OFF)
SOE Resolution	2ms

DIGITAL OUTPUT (Photo-Mos)

Voltage Range	0~250Vac/dc
Load Current	100mA (Max)
Output Frequency	25Hz, 50% Duty Ratio (20ms ON, 20ms OFF)
Isolation Voltage	2500Vac

RELAY OUTPUT (RO)

Type	Mechanical contact, Form A
Switching Voltage (Max)	250Vac, 30Vdc
Load Current	5A(R), 2A(L)
Set Time	10ms (Max)
Contact Resistance	30mΩ (Max)
Isolation Voltage	2500Vac
Mechanical Life	1.5x10 ⁷

ANALOGUE OUTPUT (AO)

Output Range	0~5V/1~5V, 0~20mA/4~20mA (Optional)
Accuracy	0.50%
Temperature Drift	50ppm/°C Typical
Isolation Voltage	500Vdc
Open Circuit Voltage	15V
Load Capacity	Current type, max load resistance: 750 Ohm Voltage type, max load current: 20 mA

Standard Compliance & Certifications

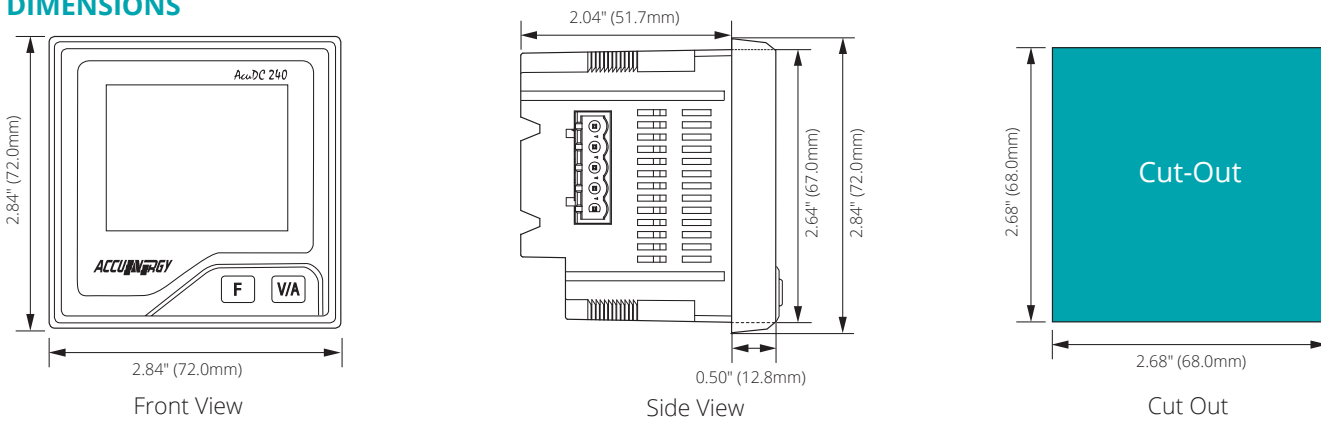
Safety Standard	IEC 61010-1
EMC Standard	IEC 55011, IEC 61000-6-2, IEC 61000-3-2, IEC 61000-3-3

FUNCTION LIST

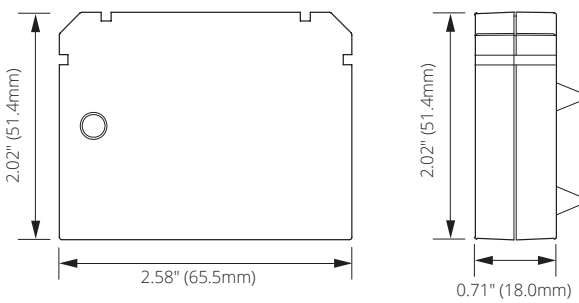
● Function; ○ Option; Blank NA

Function	Parameters	AcuDC 243
Metering	Voltage	V ●
	Current	I ●
	Power	P ●
	Energy	E ●
	Ampere-hour	Ah ●
I/O	X1: 2DI+2AO (4~20mA/0~20mA)	○
	X2: 2DI+2AO (0-5V/1-5V)	○
	X3: 2DI+2RO	○
	X4: 2DI+2DO	Support DI count ○
	X5: 2DI±15Vdc	○
	X6: 2AI±15Vdc (4~20mA/0~20mA)	○
	X7: 2AI±15Vdc (0~5V/1~5V)	○
Datalogging	All metering parameters can be recorded (Voltage, Current, Power, Energy, Ampere-hour, DI Count); Interval 1 minute; Can record 4 months	○
Communication	RS485 , Modbus RTU	○
Display	LCD	●
Dimension	72.0 × 72.0 × 64.5mm (Cutout: 68.0×68.0 mm) / 2.84 × 2.84 × 2.54 inch (Cutout: 2.68 × 2.68 inch)	

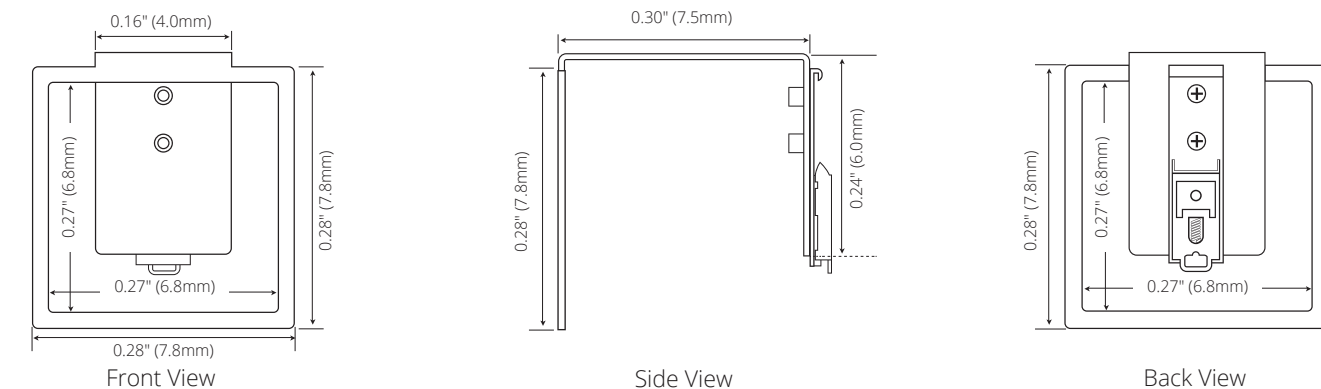
DIMENSIONS



I/O Module Dimensions

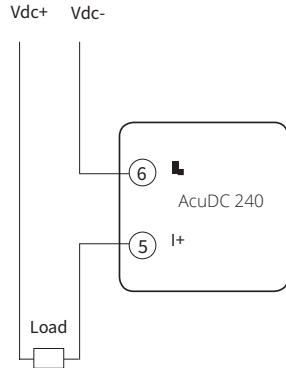


DIN Rail Dimensions

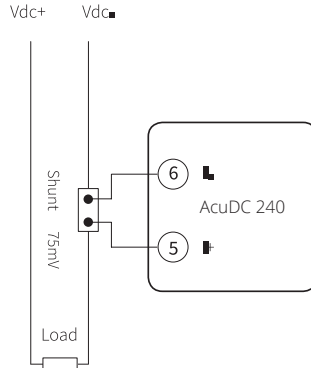


WIRING DIAGRAMS

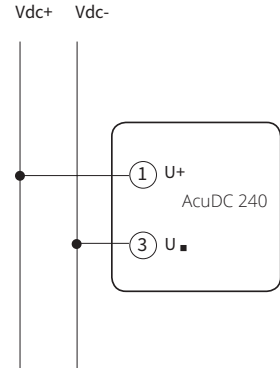
Current Direct Wiring



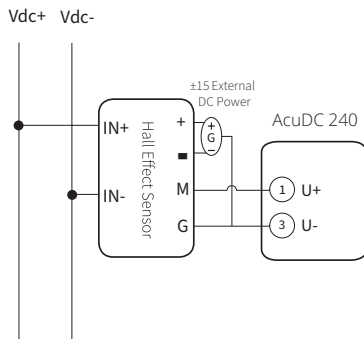
Current Wiring Using Shunt



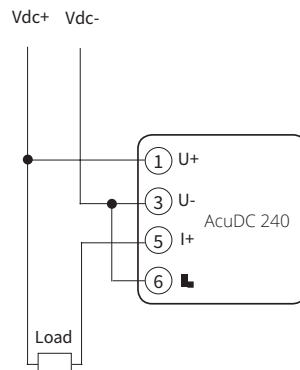
Voltage Direct Wiring



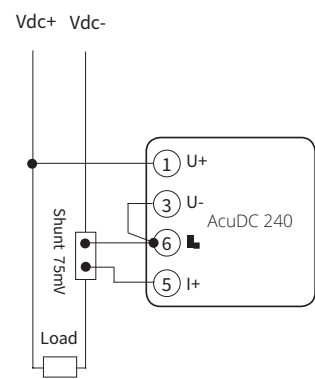
Voltage Wiring using Voltage Hall Effect Sensor*



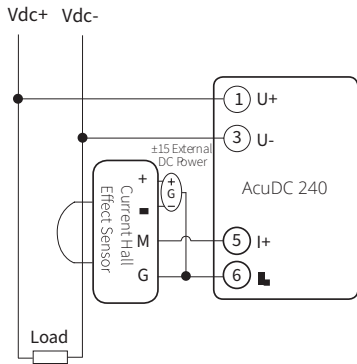
Voltage & Current Direct Wiring



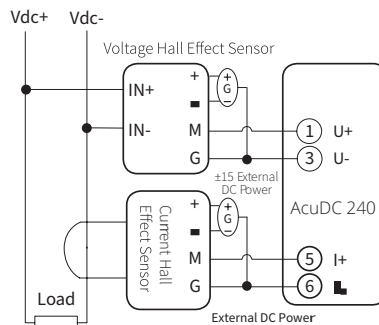
Voltage & Current Wiring using Shunt*



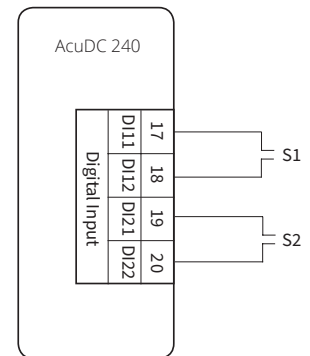
Voltage & Current Wiring using Current Hall Effect Sensor**



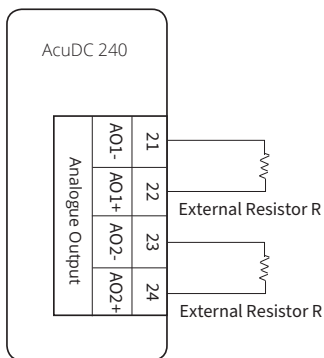
Voltage & Current Wiring using Hall Effect Sensors*



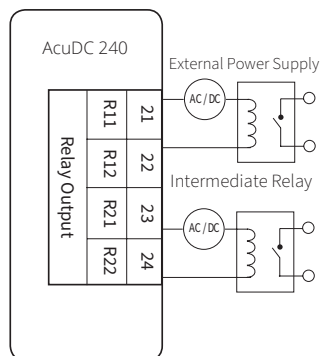
Digital Input



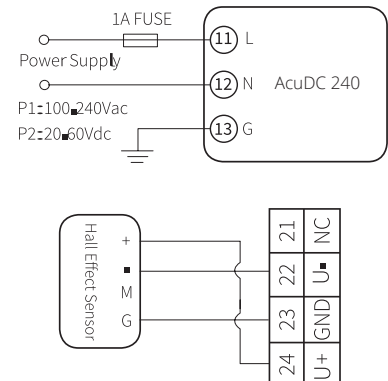
Analogue Output 4~20mA, R<500Ω



External Power Supply < 250Vac or 30Vdc I < 3A



Power Supply Wiring



*A physical jumper from terminal 3 to 6 must be connected.

**Hall effect sensors can also be powered using the ±15V power supply from the X5, X6, or X7 modules.

ACCESSORIES

DIN Rail Mounting Adapter

The AcuDC DIN Rail Mounting Adapter is the easy way to mount the AcuDC energy meter on horizontal DIN rail. The adapter quickly secures to the DC meter plus any additional I/O options for a quick, secure installation.



USB RS485 Converter

This professional-grade, plug-and-play USB to Serial RS485 Converter is compliant with both USB 1.1 and 2.0 standards and is designed to provide a convenient, reliable USB connection to the AcuDC energy meter and other serial devices.



ORDERING INFORMATION

Meter Model	Voltage Option	Current Option	Power Supply Option	I/O Option	Communication	Datalogging
AcuDC 243: Multifunction	1000V: Nominal Input Voltage 1000Vdc	A0: 0~±10A	P1: 100-240Vac 50/60Hz, 100-300Vdc	X0: No I/O	NC: No Communication	ND: No Datalogging
	600V: Nominal Input Voltage 600Vdc	A1: Shunt (50~100mV)	P2: 20-60Vdc	X1: 2DI+2AO (4~20mA/0~20mA)	C: RS485, Modbus RTU	D: Datalogging
	300V: Nominal Input Voltage 300Vdc	A2: Current Hall Effect Sensor (4~20mA/12mA±8mA)		X2: 2DI+2AO (0~5V/1~5V)		
	60V: Nominal Input Voltage 60Vdc	A3: Voltage Hall Effect Sensor (0~±5/0~±4V)		X3: 2DI+2RO		
	5V: Via Hall Effect Sensor (0-5V/0-4V), ratio settable			X4: 2DI+2DO		
				X5: 2DI+ ±15Vdc		
				X6: 2AI ±15Vdc (4~20mA/0~20mA)		
				X7: 2AI ±15Vdc (0~5V/1~5V)		
Ordering Example:		AcuDC 243 - 300V - A2 - P1 - X1 - C - D				

Accessories (Optional)

USB-RS485:	USB-to-RS485 Converter
DC-DIN:	DIN Rail Mounting Accessory
Ordering Example:	USB-RS485

Note: When the input voltage is above 1000V, or the system design requires an isolation sensor, the voltage input can be selected as Via Hall Effect Sensor (0~5V). The Voltage Hall Effect Sensor output range requires 0~5V.



Accuenergy (Canada) Inc.
 Los Angeles - Toronto - Beijing - Pretoria
 North America Toll Free: 1-877-721-8908
 Web: www.accuenergy.com
 Email: marketing@accuenergy.com

Revision Date: Feb 2022 Version: 1.0.1
 Specs Subject To Change Without Notice.



ISO9001 Certified